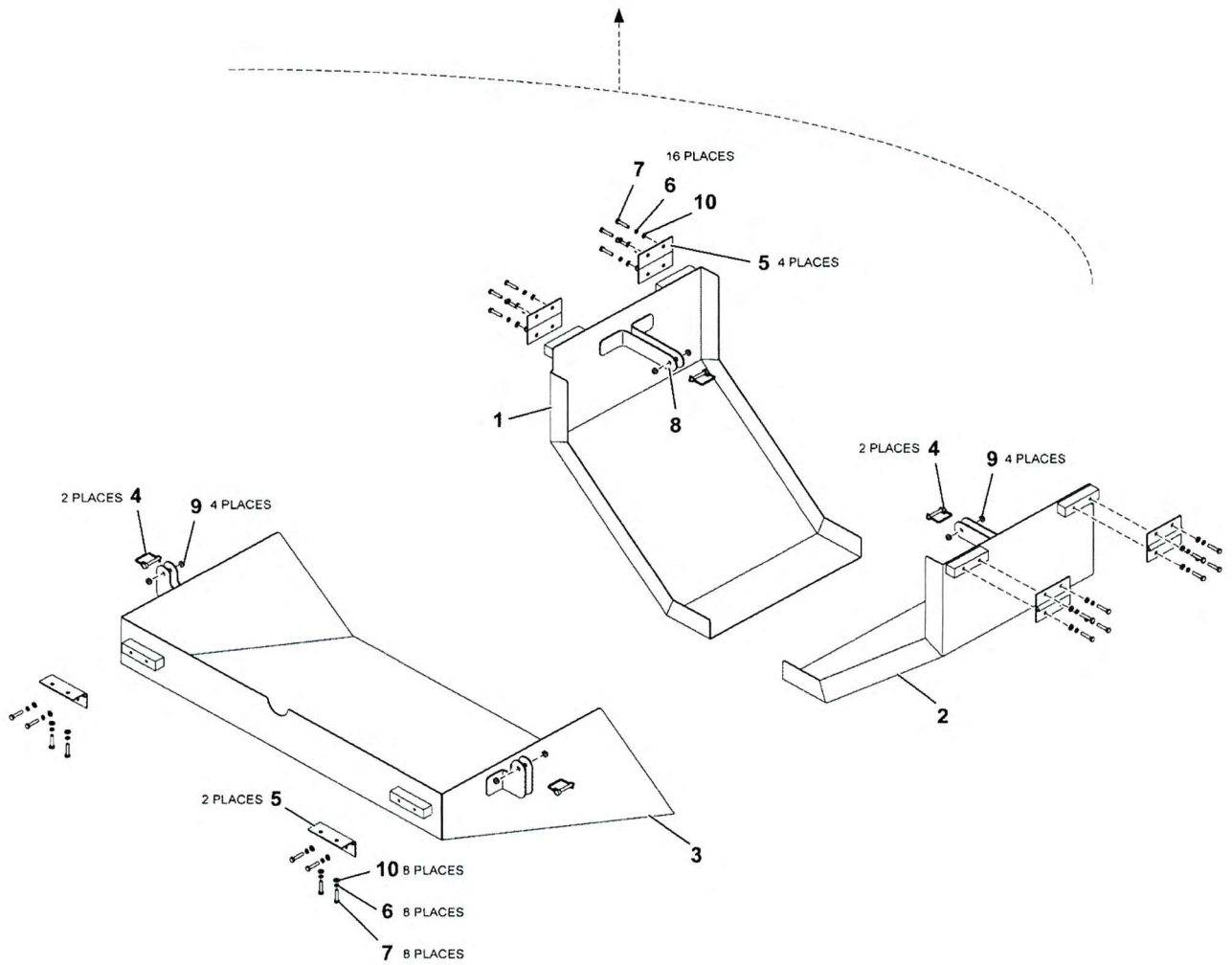
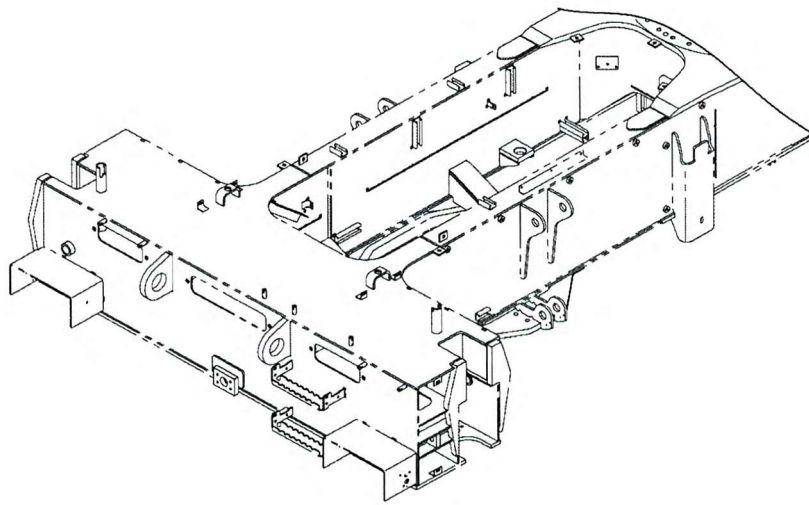


# Manitowoc Crane Group



80002295

(SHEET 1 OF 1)

Page 652